

WARTMANN®

USER MANUAL / GEBRUIKERSHANDLEIDING



VACUUM DEVICE | VACUÛMAPPARAAT
model WM-2005 EC

WWW.WARTMANN.COOKING



User manuals

User manual English

4-24

Gebruikshandleiding Nederlands

25-51



WARTMANN®



CONTENTS

WELCOME

Congratulations on your purchase

IMPORTANT

FOOD SAFETY

Vacuum-packaging

Deep-freezing

Verify

OVERVIEW OF THE WARTMANN®

VACUUM DEVICE

Components

The control panel

USING THE WARTMANN®

VACUUM DEVICE

Switching on the vacuum device

Vacuum seal a product in a vacuum bag

Cutter

2 Vacuum a product in a vacuum canister 15

2 Vacuumising by use of a bottle stopper 16

4 AFTER USE 18

Switch off 18

6 Cleaning 18

6 Storing 18

7 Maintenance 18

7

RECYCLING THE WARTMANN®

VACUUM DEVICE 19

8

8 APPENDIX 1: TROUBLESHOOTING 20

10

APPENDIX 2: STORING ADVICE

FOR FOODS 22

12

12 APPENDIX 3: OTHER VACUUM-PACK

AGING APPLICATIONS 24

14



WELCOME

Congratulations on your purchase!

Wartmann hopes that you will enjoy your new Wartmann® vacuum device. Using the Wartmann® vacuum device, you can keep your food fresh for a longer period of time in the fridge or freezer. As the Wartmann® vacuum device efficaciously removes the air, the storage times may be up to five times longer. Using Wartmann® vacuum bags and special storage boxes, you can store your food longer, wasting less food and ultimately saving costs.

The Wartmann® vacuum device is perfectly suitable for storing or preserving various household items. And while doing sous vide cooking, the Wartmann® vacuum device is an excellent choice.

The Wartmann® vacuum device combines the vacuuming function with a sealing function. With the cutter on the Wartmann® vacuum device you

determine the correct size vacuum bag and you can even re use vacuum bags. The Wartmann® vacuum bags can simply be put in the fridge or the freezer. They are also ideal for sous-vide cooking techniques. With the supplied vacuum hose you can also use the Wartmann® vacuum storage boxes. As a result, food can be kept longer and tastes better. The hose can also be connected to the Wartmann® bottle stoppers to preserve your wine.

A good choice

The Wartmann® vacuum device is made of extremely durable materials and can deliver a negative pressure of no less than -60 KPa (0.6 bar) with a capacity of 5 litres per minute. The Wartmann® vacuum device is easy to operate with a single touch button. The Wartmann® vacuum device is compact, easy to clean and suitable for most Wartmann® vacuum bags, rolls and boxes. The Wartmann® vacuum device is equipped with a

built-in overheating protection and an energy saving mode.

Following the instruction manuals and maintenance instructions you will enjoy your Wartmann® vacuum device for many years.



IMPORTANT

This instruction manual contains information for the use and maintenance of your Wartmann® vacuum device. Read this instruction manual carefully before using the Wartmann® vacuum device and keep it for possible later consultation.

Only suitable for domestic purposes

This device is exclusively intended for common household use. In case of (semi)-professional or incorrect use, usage not in accordance with the instructions in the manual, or self-performed repairs, the warranty expires and Wartmann will decline any responsibility for any damage caused by this.

Not suitable for children

The Wartmann® vacuum device may not be operated by persons under 16 years of age. After use, make sure that the Wartmann® vacuum device is in a safe place, out of reach for children.

Check electrical connections

Check if the voltage indicated on the Wartmann® vacuum device conforms with the local mains voltage before connecting the vacuum device. In case the plug, power cord or the Wartmann® vacuum device itself is damaged, repairs must be carried out first or the relevant part should be replaced by a qualified service centre.

Prevent the vacuum device from coming into contact with water

The Wartmann® vacuum device contains electrical parts and heating elements. Never rinse the vacuum device under the tap and do not immerse the vacuum device in water. Make sure that no water ever enters the vacuum device to prevent electrical shock and/or damage to the vacuum device. The Wartmann® vacuum device is not suitable for the dishwasher. When cleaning the Wartmann® vacuum device, always switch off the device completely, with the plug

out of the socket. Do not operate the Wartmann® vacuum device with wet or damp hands.

Contains heating elements

The Wartmann® vacuum device is equipped with a sealing strip. This is briefly heated, therefore, wait 15 seconds before opening the cover. The sealing strip may still be warm after opening the lid. To avoid overheating, wait 30 seconds before using the seal function again. In case of imminent overheating of the device, the built-in overheating protection will switch on automatically. After cooling for about 10 minutes, the Wartmann® vacuum device is ready for use again. Do not position the vacuum device near flammable materials (such as curtains) or cleaning agents (such as methylated spirit).

Use original accessories

This manual applies to the optional use of Wartmann® accessories. For accessories from other suppliers, other instructions may apply.

FOOD SAFETY

Vacuum-packaging

When vacuum-packaging food in vacuumbags or -storage boxes, most of the surrounding air is extracted whilst the inflow of fresh air is being prevented. This way the storage life of food is lengthened. Vacuum-packaging helps to prevent freezer burn, which is the dehydration of the surface layer of the food. This is characterised by white or brown-red discolouration of the food. Vacuum-packaging contributes to the preservation of the taste and the overall quality of the food. It slows the growth of aerobic micro-organisms that could cause:

- Mould. As mould won't grow in environments with little oxygen, the vacuum-packaging will strongly reduce the risk of moulding.
- Fermentation. Fermentation can be noticed by the odour or taste of the food. Fermentation requires

water and sugar and will develop at room temperature. Fermentation can also develop when air is lacking. In order to slow the yeast growth items should be cooled, only at deep-freezing temperature, this growth will come to a halt.

- Bacteria. Bacterial growth can often be recognised by a nasty smell, discolouration and a soft or slimy layer. Under specific circumstances, clostridium botulinum, which causes botulism, can grow without air. This is rare, but also extremely dangerous. You can neither smell nor taste it.

The vacuum-packaging is no replacement for cooling or deep-freezing. Perishable foods that require cooling or freezing, must still be kept in the refrigerator or freezer.

Preparations

Before you can start vacuum-packaging vegetables, they need blanching. This will inhibit the enzymatic activity which causes loss of flavour and colour fading. Cook the vegetables or place them in the microwave until they are done, but still a bit crispy. Subsequently you immerse the vegetables in cold water, stopping the cooking process. Next, dry the vegetables with, for instance, a clean towel. Cruciferous vegetables, such as broccoli, sprouts, cabbage, cauliflower, kale and turnips produce carbon dioxide during preservation. Therefore, you can only store these vegetables in the freezer.

Deep-freezing

In order to safely preserve foods, it must be kept at low temperatures. The growth of micro-organisms is strongly reduced at temperatures of 4°C and below. At a temperature of -17°C, growth will nearly come to a full stop. This does however not kill the

micro-organisms. If you wish to store your vacuum packed food long-term, then always place it in the freezer.

Verify

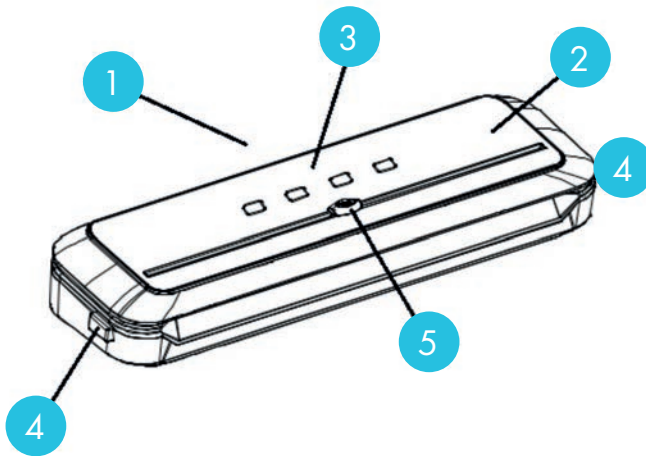
Always check if food is spoiled, before consuming it. You must realise that vacuum-packaging cannot undo spoilage. Vacuum-packaging only ensures that the quality of food is retained longer. How much longer you can preserve the food, depends on different factors, such as the quality of the food at the time of packaging. We advise to only package fresh food and mention the date of packaging on the package.

In Appendix 2 you will find a table with some storage advice.

OVERVIEW OF THE WARTMANN® VACUUM DEVICE

Components

Take the Wartmann® vacuum device out of the box and remove all packaging materials. You will find the following components; the vacuum device, the power cord, the vacuum hose and 5 vacuum bags.



1. Powercord connection (AC)
2. Lid vacuum device
3. Control panel
4. Unlock buttons
5. Cutter

Figure 1. The vacuum device.

By firmly pressing the unlock buttons (4) on the side, the lid will pop out of the lock. You can now open the vacuum device. In figure 2 the various parts are named when the lid is open.

1. Lid vacuum device
2. Silicone contact strip
3. Rubber gasket
4. Sealing ribbon
5. Vacuum chamber
6. Vacuum valve
7. Vacuum button

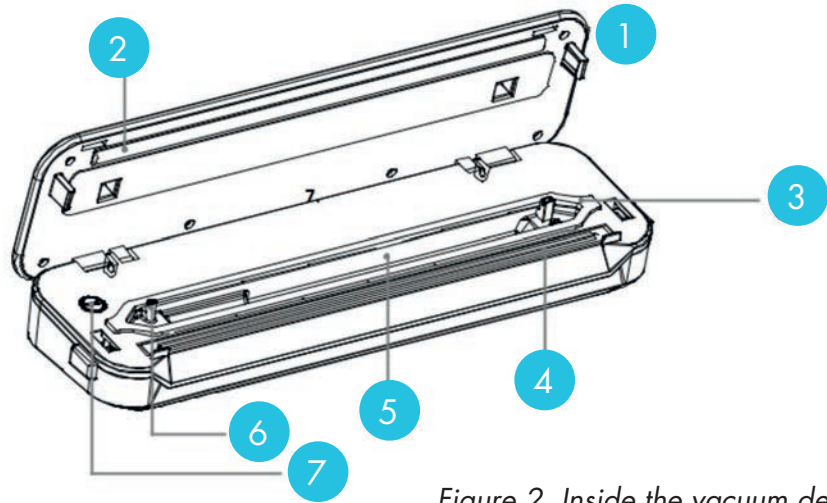


Figure 2. Inside the vacuum device.

The control panel

With the buttons on the control panel you can choose between the various functions of the Wartmann® vacuum device. The most commonly used option is the combination of vacuum and direct sealing (figure 3, 5). You can also choose for sealing without vacuum (figure 3, 3).

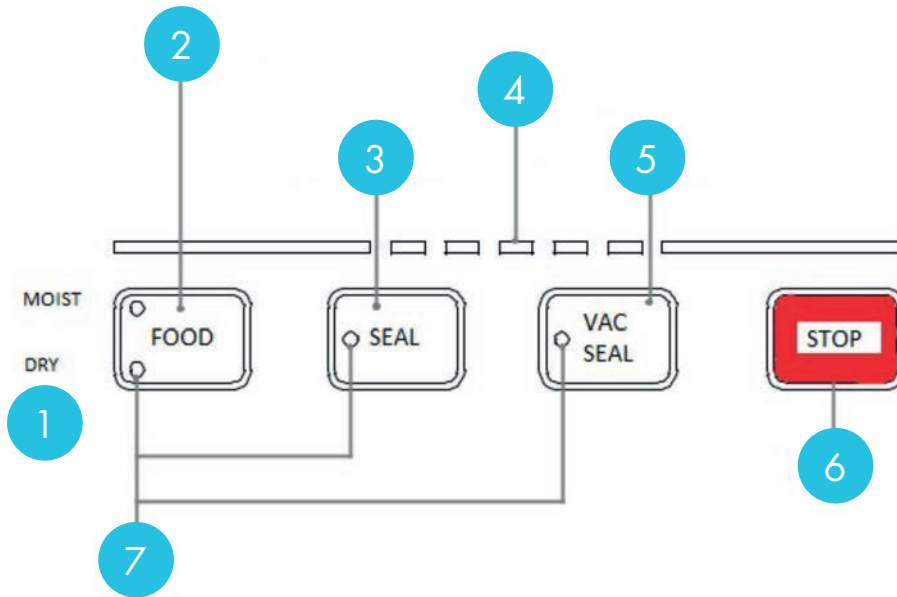
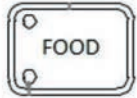


Figure 3. The control panel.

The buttons have the following functions;

MOIST

DRY



Once the Wartmann® vacuum device is connected, the “DRY” indicator light (1/7) will light up green. The Wartmann® vacuum device is ready for use. With the FOOD button (2) you select between DRY and MOIST. In MOIST mode, the vacuum process will be slower to prevent moisture from entering the vacuum chamber. You change the mode by touching the button.



Use this button (3) to seal a vacuum bag. There will be no vacuum. The indicator lamp lights up green (7). During the process, you will hear a short loud buzz. The indicator lights (4) above the buttons are flashing. After a few seconds, the process is complete and all lights will go out.



Use this button to vacuum and seal a vacuum bag. The vacuum bag will automatically be sealed once the air has been sucked out the bag. The indicator lamp lights up green (7). During the process, you will hear twice, a short loud buzz. The indicator lights (4) above the buttons are flashing. After a few seconds, the process is complete and all lights will go out.



Pressing this button (6) to cancel an ongoing vacuum- or sealingprocess.

USING THE WARTMANN® VACUUM DEVICE

Switching on the vacuum device

Plug the power cord into the AC connection on the back of the Wartmann® vacuum device (figure 1, 1). To do this, you must pull the rubber sealing cover out of the AC connection. Do this carefully so that you do not pull it off completely. If you want to clean the Wartmann® vacuum device thoroughly, you can remove the power cord and close the rubber cover. Place the Wartmann® vacuum device on a solid surface with sufficient space around it. Open the cover with the unlock buttons (figure 1, 4). Insert the plug of the Wartmann® vacuum device into a wall socket.

Vacuum seal a product in a vacuum bag

Wartmann® recommends to use the original Wartmann® vacuum bags and vacuum rolls. You can choose from various vacuum bags up to a maximum width of 28 centimeters or the vacuum

rolls with a maximum width of 28 centimeters. The vacuum roll is a tubular plastic roll that you can cut to the desired length yourself (see cutter, later in this chapter). You must first seal this open tube on one side. You then have a tailor-made vacuum bag. For slightly damp products it is best to use the Wartmann® vacuum bags with an absorbent strip. The Wartmann® vacuum device is also suitable for other brands of vacuum bags and rolls. For vacuum packaging, these must be provided with a micro-profile.

Choose a vacuum bag of suitable width, not wider than 28 cm, and place your product in the bag, leaving at least 5 cm open at the top. Open the lid (with the unlock buttons) and place the open end of the bag over the sealing strip with the open end inside the vacuum chamber (figure 4, 1). Be

careful not to block the vacuum valve. Close the lid and press it lightly at both corners until the Unlock keys are locked in their position. The lid will be locked at both sites (figure 4, 2). You will hear the lid click into place (left and right).

You can now operate the Wartmann® vacuum device with the buttons on the control panel (figure 3).

During the vacuuming process, the bag is completely vacuumed. You will see that the air is being sucked out of the vacuum bag. The process is finished after a few seconds. The indicator lights go out and you can click the cover open with the unlock buttons (figure 4, 3). Take the vacuum bag out of the device. Wait at least 15 seconds before you vacuum or seal another bag.

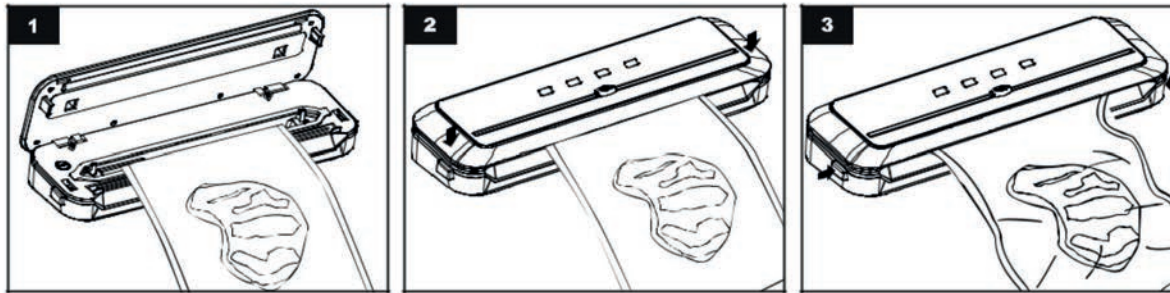


Figure 4. Using the Wartmann® vacuum device.

Please carefully inspect the seal. A proper sealing will be transparent over the entire length. If the sealing is mottled, white or milky or even crumpled, then it is not properly sealed. In this case, cut off the sealing and create a new sealing in accordance with the abovementioned steps.

Cutter

The Wartmann® vacuum device is equipped with a handy cutter. At the top of the Wartmann® vacuum device you will find a plastic slide that can move from left to right. A hidden cutting knife (cutter) is attached on the bottom of this slide. With this handy accessory you can easily cut the vacuum rolls to the desired size. You do this by lifting the slider slightly and placing the plastic roll underneath. Hold the roll with one hand and cut the roll in half with your other hand. See figure 5.

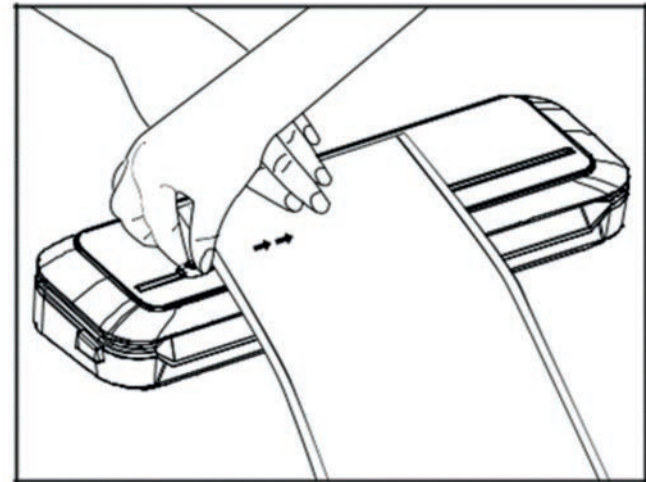


Figure 5. Using the cutter.

Vacuum a product in a vacuum canister

The Wartmann® vacuum device can also be used with a vacuum canister. Check first that the gasket in the lid is dust-free and that it contains no food residues. Also check if the vacuum box is dry. Place the product to be stored in the vacuum canister. Leave a little room on top of the food, so that air can easily flow out. Connect one side of the vacuum hose to the nipple of the vacuum canister and the other side to the nipple of the Wartmann® vacuum device. The nipple is in the vacuum chamber on the left hand side and is only visible with the lid open (figure 2, 6). Start the vacuuming process by briefly pressing the vacuum button (figure 2, 7). The vacuuming process starts and will stop automatically as soon as the maximum negative pressure has been reached.

If you press the button again, the process will also be stopped immediately. During this process, the indicator lights will flash and you will hear a loud buzz. Now remove the vacuum hose on the side of the vacuum storage box.



Vacuumising by use of a bottle stopper

Using the vacuum device and special bottle stoppers, bottles can be vacuumised, for instance to store an opened wine bottle, non-carbonated soft drinks, vegetable oil or fresh juice.

Insert the bottom of the wine stopper into the neck of the bottle. Keep at least 2.5 cm between the bottom of the wine stopper and the top of the liquid.

Open the lid of the Wartmann® vacuum device by pressing the unlock buttons (figure 1, 4). On the left side in the vacuum chamber you will see the vacuum nipple (figure 2, 6). Connect one side of the vacuum hose to the nipple of the vacuum bottle stopper, the other side to the nipple of the vacuum device. Briefly press the Vacuum button (figure 2, 7). The vacuum device will stop automatically as soon as the vacuum

has been reached. If you press the Vacuum button again, the process will also be stopped immediately. During this process, the indicator lights will flash and you will hear a loud buzz. Subsequently disconnect the vacuum hose from the wine stopper.





AFTER USE

Switch off

With the Stop button (figure 3, 6) all processes are stopped. After use, let the sealing strip cool for 15 seconds before opening the valve. The “dry” light will stay on. If you are not going to use the Wartmann® vacuum device for a longer period of time, the plug must be removed from the socket. You can now clean and store the Wartmann® vacuum device.

Cleaning

If necessary, clean the outside of the vacuum device with a slightly damp microfiber cloth and a mild soap. Remove all moisture from the vacuum chamber and keep the sealing strip free of dirt and dust. To remove moisture, you can carefully pull out the rubber gasket around the vacuum chamber and then push it back.

Storing

We recommend that all parts and used accessories are cleaned immediately after use to prevent unwanted bacterial growth. Make sure that the sealing strip is dust and dirt-free and the vacuum chamber is dry. Place the Wartmann® vacuum device in a dry place, out of the reach of children.

Maintenance

The Wartmann® vacuum device does not require any special maintenance.

RECYCLING THE WARTMANN® VACUUM DEVICE

If the Wartmann® vacuum device is at the end of its life cycle, you can deliver it to a collection point for the recycling of electrical equipment. The Wartmann® vacuum device should not be disposed of along with regular household rubbish.



APPENDIX 1: TROUBLESHOOTING

In general the Wartmann® vacuum device performs adequately. Should however a malfunction occur, then please first try the troubleshooting recommendations mentioned below.

SYMPTOM	POSSIBLE CAUSE	SOLUTION
The vacuum device does not work. None of the indicator lights are burning.	The power cord is damaged or not properly in the socket.	Check if the power cord is undamaged and then insert the plug firmly into a power socket.
	There is no voltage on the socket.	Check with another electrical device that the socket has power; if so try the vacuum device again.
	The vacuum device is broken.	Send the vacuum device in for repair.
The vacuum device does not remove the air from the vacuum bag.	The top of the vacuum bag is not entirely into the vacuum chamber.	Place the opening of the vacuum bag entirely in the vacuum chamber.
	There are wrinkles in the vacuum bag in the part that is on pressure strip.	Check the top side for wrinkles, and, if necessary cut off the top edge of the vacuum bag.
	You have made a vacuum bag of a vacuum roll and the first sealing is not correct.	Check the first sealing for damage. Cut off the damaged sealing and make a new sealing.
	The vacuum bag is wet, dirty or dusty or is without a micro-profile	Use a proper clean vacuum bag that has a micro profile.
The vacuum bag is losing its vacuum after it was sealed.	Sharp objects could puncture the vacuum bag.	Cover any sharp edges using a paper towel and use a new vacuum bag.
	Certain vegetables and fruit that were not properly blanched or were frozen prior to packaging, may cause decomposition gases.	Open the packaging and throw away the foods in case they are spoiled. If the foods are not spoiled, they must be eaten straight away.

SYMPTOM	POSSIBLE CAUSE	SOLUTION
The vacuum device does not properly seal a bag.	The sealing strip of the vacuum bag is wet, dirty or dusty.	Remove the plug and clean the sealing strip. Use only clean, dry vacuum bags.
	The open end of bag is not placed inside the vacuum chamber	Check that the open end of the bag is properly placed inside the vacuum chamber.
The vacuum boxes are not vacuumed properly.	The vacuum hose is not properly connected.	Make sure the vacuum hose is correctly connected to the vacuum box and the vacuum device. Then try again.
	There is insufficient free space in the top of the vacuum box.	Make sure there is sufficient free space at the top of the vacuum box.
The vacuum device no longer works (properly).	There is a technical failure malfunction.	Remove the plug from the socket, wait 10 seconds and reconnect the vacuum device.
		Send the vacuum device in for repair.

APPENDIX 2:

STORING ADVICE FOR FOODS

The Wartmann® vacuum device will change the way you purchase and store foods. As vacuum-packaging decelerates spoilage and prevents freezer burn, you can buy more foods at a time without the risk of waste.

Using the Wartmann® vacuum device, you remove up to 90% of the air from the packaging. As such, foods can be kept up to five times longer, in the cooler or deep-freezer, than when storing it the normal way. Dry foodstuffs such as pasta, grains and flour will even stay fresh from the start to when being used. Also, using vacuum packaging you prevent beetles and insects from nestling in your foodstuffs. Package foodstuffs always as freshly as possible.

Please note: Not all foods are suitable for vacuum packaging. You can never vacuum pack garlic or fungi such as mushrooms. Removing the air could initiate a biochemical reaction, making consumption of these products very dangerous. Vegetables should first be blanched to break down the enzymes that produce decomposition gases.

Foods	Vacuum + Deep-freeze	Vacuum + Cooling	Normally
Beef and veal	1 ½ years	2 weeks	2 days
Minced meat	1 years	1 week	1 to 2 days
Pork	1 years	1 to 2 weeks	2 days
Fish	1 ½ years	1 week	2 days
Poultry	1 ½ years	1 to 2 weeks	2 days
Smoked meat	2 years	3 months	2 to 4 weeks
Blanched vegetables	2 to 3 years	4 weeks	1 week
Fresh fruit	2 to 3 years	2 weeks	3 to 7 days
Hard cheeses	6 months	2 months	2 weeks
Unboiled pasta		1 years	½ years

Abovementioned times are indicative and may vary per product and quantity.

APPENDIX 3: OTHER VACUUM-PACKAGING APPLICATIONS

You can also use the vacuum device for domestic applications other than food packaging.

Vacuum-packaging is quite suitable for camping and outdoor activities

Reusable cooling packs you can make yourself, by half filling a vacuum bag with water to which a few spoons of methylated spirit were added. Seal the vacuum bag, without a vacuum, and place it in the freezer. The methylated spirit prevents the water from freezing entirely. You can use the vacuum bag for treatment of aching joints and small injuries.

You can prepare vacuum-packed meals before you go camping. This way it is easy to prepare meals while camping. Uncooked rice and pasta such as spaghetti can be kept for the entire holiday period.

Vacuum packaging of meat and other smelly products prevents undesired odours.

Make your own dry packs by keeping essential items, such as matches, socks and a map in a sealed bag.

Domestic applications

Reorganise untidy cabinet drawers by vacuum-packaging small stuff that might otherwise be lost, such as screws and nails, into vacuum bags. The content of the bags will remain easily visible due to the transparent vacuum bag.

Hardly used silverware can also be vacuum packed. This will prevent discolouration of the silver as a result of oxidation. Sharp corners can be packed by use of a paper towel, preventing the vacuum bag from being punctured.



VACUÛMAPPARAAT model WM-2005 EC

WARTMANN®



INHOUD

WELKOM

Gefeliciteerd met uw aankoop
Een prima keuze

BELANGRIJK

Alleen geschikt voor huishoudelijk gebruik
Controleer elektrische aansluitingen
Let op: Zegeldraad is heet
Pas op met water
Gebruik originele accessoires

VOEDSELVEILIGHEID

Vacuüm-verpakken
Vorbereidingen
Diepvriezen
Controleren

PRODUCTOVERZICHT

Het bedieningspaneel

28	HET VACUÛMAPPARAAT GEBRUIKEN	38
28	Het Wartmann® vacuümapparaat installeren	38
29	Vacuümszakken en vacuümrollen	38
	Snijmes	40
30	Gebruik van Wartmann® vacuüm opbergdozen	41
30	Gebruik van Wartmann® flessenstoppen	42
30		30
30	NA GEBRUIK	44
31	Uitschakelen, Schoonmaken	44
31	Opbergen, Onderhoud	44
32	HET WARTMANN® VACUÛMAPPARAAT RECYCLEN	45
32		32
33		33
33	BIJLAGE 1: STORINGEN VERHELPEN	46
33	BIJLAGE 2: BEWAARADVIEZEN VOOR ETENSWAREN	48
34	BIJLAGE 3: ANDERE	
36	VACUÛM-VERPAKKINGSTOEPASSINGEN	50



WELKOM

Gefeliciteerd met uw aankoop!

Wartmann wenst u veel plezier met uw nieuwe Wartmann® vacuümapparaat. Met het Wartmann® vacuümapparaat kunt u voedsel luchtdicht verpakken. Dit is niet alleen hygiënischer. Vacuüm verpakt voedsel dat u gekoeld bewaart, bijvoorbeeld in de koelkast of vriezer, blijft bovendien tot 5 keer langer vers. Door de lucht te onttrekken zal uw voedsel minder snel oxideren, zodat kleur en smaak beter behouden blijft. Dit betekent ook minder voedselverspilling en dus kostenbesparend.

Met het Wartmann® vacuümapparaat kunt u producten in een vacuümzak afgesloten bewaren waarbij u er voor kunt kiezen om de lucht al dan niet uit de vacuümzak te zuigen. Met de snijder op het Wartmann® vacuümapparaat snijdt u zelf een vacuümzak of vacuümrol op het gewenste formaat.

Met de meegeleverde vacuümslang kunt u tevens de Wartmann® vacuüm opbergdozen gebruiken. Hierdoor blijft voedsel langer houdbaar en smaakvoller. De slang kan ook aangesloten worden op de Wartmann® flessenstoppen om bijvoorbeeld uw wijn beter te conserveren.

Een prima keuze

Het Wartmann® vacuümapparaat is gemaakt van duurzame materialen en kan een onderdruk leveren van maar liefst -60 KPa (0,6 bar) met een capaciteit van 5 liter per minuut. Het Wartmann® vacuümapparaat is eenvoudig te bedienen met een enkele tiptoets. Het Wartmann® vacuümapparaat is compact, eenvoudig schoon te maken en geschikt voor de meeste Wartmann® vacuümzakken, -rollen en -dozen. Het Wartmann® vacuümapparaat is voorzien van een ingebouwde oververhittingsbeveiliging en een energie spaarstand.

Wanneer u de gebruiksaanwijzingen en onderhoudsinstructies opvolgt dan heeft u jarenlang plezier van uw Wartmann® vacuümapparaat.



BELANGRIJK

Deze gebruiksaanwijzing bevat de informatie voor het gebruik en onderhoud van uw Wartmann® vacuümapparaat. Lees deze gebruiksaanwijzing zorgvuldig voordat u het Wartmann® vacuümapparaat gaat gebruiken en bewaar deze gebruiksaanwijzing voor eventueel toekomstig gebruik.

Alleen geschikt voor huishoudelijk gebruik

Dit apparaat is uitsluitend bedoeld voor normaal huishoudelijk gebruik. Bij (semi-) professioneel of onjuist gebruik, bij gebruik dat niet overeenkomt met de instructies in de gebruiksaanwijzing en bij zelf uitgevoerde reparaties vervalt de garantie en weigert Wartmann® iedere aansprakelijkheid voor hierdoor ontstane schade.

Niet geschikt voor kinderen

Het Wartmann® vacuümapparaat mag niet bediend worden door personen jonger dan 16 jaar. Zorg ervoor dat, na gebruik, het Wartmann®

vacuümapparaat op een veilige plek staat, onbereikbaar voor kinderen.

Controleer elektrische aansluitingen

Controleer of het voltage dat wordt aangegeven op het Wartmann® vacuümapparaat overeenkomt met de plaatselijke netspanning voordat u deze aansluit. Wanneer de stekker, het netsnoer of het Wartmann® vacuümapparaat beschadigd is dient u dit eerst te laten repareren of vervangen door een erkend servicecentrum.

Let op: Zegeldraad is heet

Voor het verzegelen van de vacuümzakken wordt gebruik gemaakt van een hittedraad. Deze hittedraad bevindt zich onder het deksel en wordt kortstondig heet. Raak de hittedraad nooit aan, tenzij het apparaat uitgeschakeld en voldoende afgekoeld is. Plaats het Wartmann® vacuümapparaat niet in de buurt van vlambare vloeistoffen en

schoonmaakmiddelen zoals (brand)spiritus.

Pas op met water

Het Wartmann® vacuümapparaat bevat elektrische onderdelen. Zorg dat er nooit water op het netsnoer of in het apparaat kan komen om een elektrische schok en/of beschadiging aan het Wartmann® vacuümapparaat te voorkomen. Bij het reinigen van het Wartmann® vacuümapparaat dient u het apparaat altijd volledig uit te schakelen, met de stekker uit het stopcontact. U mag het Wartmann® vacuümapparaat niet onderdompelen in water, onder de kraan afspoelen of in de vaatwasser plaatsen. Bedien het Wartmann® vacuümapparaat niet met natte of vochtige handen.

Gebruik originele accessoires

Gebruik alleen originele Wartmann® accessoires voor het Wartmann® vacuümapparaat. Accessoires van andere leveranciers worden niet ondersteund.



VOEDSELVEILIGHEID

Vacuüm-verpakken

Bij het vacuüm-verpakken van etenswaren in vacuümzakken en/of -opbergdozen, wordt een groot deel van de omgevingslucht verwijderd en wordt de toestroom van verse lucht voorkomen.

Vacuüm-verpakken helpt bij het voorkomen van vriesbrand. Dit is een uitdroging van de oppervlaktelaag van het voedsel. Het is te herkennen aan een witte of bruinrode verkleuring van het voedselopervlak. Vacuüm-verpakken draagt bij aan het behoud van de smaak en de algehele kwaliteit van het voedsel. Het remt de groei van aerobe micro-organismen die kunnen zorgen voor:

- Schimmel. Omdat schimmel niet groeit in een omgeving waar weinig zuurstof is zal vacuüm-verpakken de kans op schimmelvorming sterk verkleinen.

- Gisting. Een vergisting herkent u vaak aan de geur en smaak van het voedsel. Gist heeft water en suikers nodig en groeit bij kamertemperatuur. Ook zonder lucht kan gist groeien. Om de gistgroei af te remmen moet u koelen, pas bij diepvriezen wordt de gistgroei volledig afgeremd.

- Bacteriën. Bacterievorming herkent u vaak aan een nare geur, verkleuring en een zachte of slijmerige laag. Onder specifieke omstandigheden kan clostridium botulinum, de veroorzaker van botulisme, zonder lucht groeien. Dit is zeer zeldzaam, maar bijzonder gevaarlijk. U kunt dit niet ruiken of proeven.

Het vacuüm-verpakken is geen vervanging voor het koelen of diepvriezen. Bederfelijke etenswaren die gekoeld of bevroren moeten worden dient u nog steeds in de koeling of vriezer te bewaren.

Vorbereidingen

Voordat u groenten kunt vacuüm-verpakken moet u deze blancheren. Dit remt de enzymwerking die smaak- en kleurverlies veroorzaakt. Kook de groenten, of plaats deze in de magnetron, totdat ze gaar en nog knapperig zijn. Hierna dompelt u de groenten in koud water onder zodat het kookproces stopt. Droog vervolgens de groenten met bijvoorbeeld een schone handdoek.

Kruisbloemige groenten zoals broccoli, spruiten, kool, bloemkool, boerenkool en rapen produceren koolzuurgas tijdens het bewaren. U kunt deze groenten daarom alleen in de diepvriezer bewaren.

Diepvriezen

Voor het veilig bewaren van etenswaren dient u steeds lage temperaturen aan te houden. De groei van micro-organismen wordt sterk verminderd bij temperaturen van 4°C en lager. Bij een temperatuur

van -17°C stopt de groei bijna volledig. Dit doodt de micro-organismen echter niet. Wanneer u vacuüm-verpakte etenswaren voor langere tijd wilt bewaren dan moet u dit altijd in de diepvriezer leggen.

Controleren

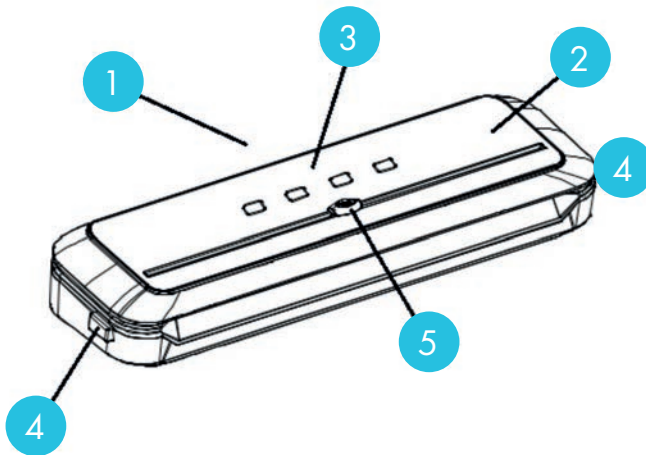
Controleer etenswaren altijd op bederf voor consumptie. U dient te beseffen dat vacuüm-verpakken het bederf niet ongedaan kan maken. Vacuüm-verpakken zorgt er alleen voor dat de kwaliteit van de etenswaren langzamer achteruit gaat. Hoeveel langer u de etenswaren kunt bewaren hangt van verschillende factoren af zoals de kwaliteit van de etenswaren op het moment van verpakken. Wij adviseren dan ook om alleen verse etenswaren te verpakken en de datum waarop u iets heeft bewaard op de verpakking te vermelden.

In bijlage 2 treft u een tabel met enkele bewaaradviezen.

PRODUCTOVERZICHT

Components

Take the Wartmann® vacuum device out of the box and remove all packaging materials. You will find the following components; the vacuum device, the power cord, the vacuum hose and 5 vacuum bags.

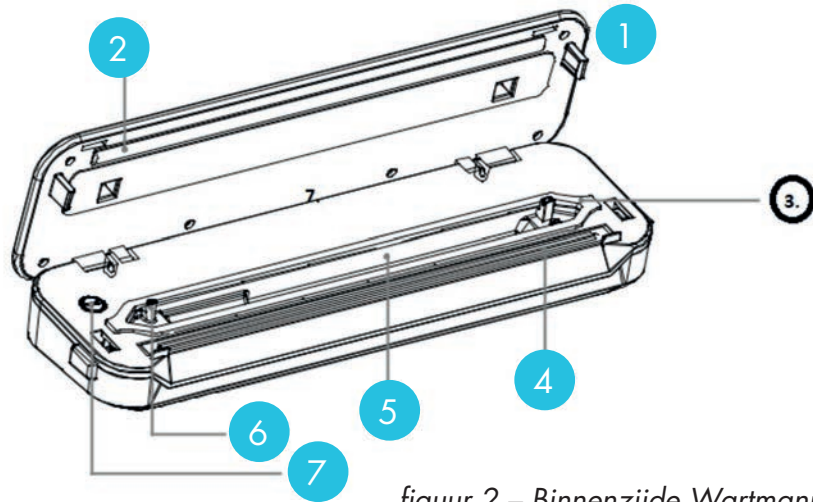


1. Netsnoeraansluiting
2. Deksel
3. Bedieningspaneel
4. Ontgrendelknoppen
5. Snijmes

figuur 1 - Het Wartmann® vacuümapparaat.

Met de ontgrendelknoppen (4) aan de zijkant ontgrendelt u de deksel. U kunt vervolgens het vacuümapparaat openen.

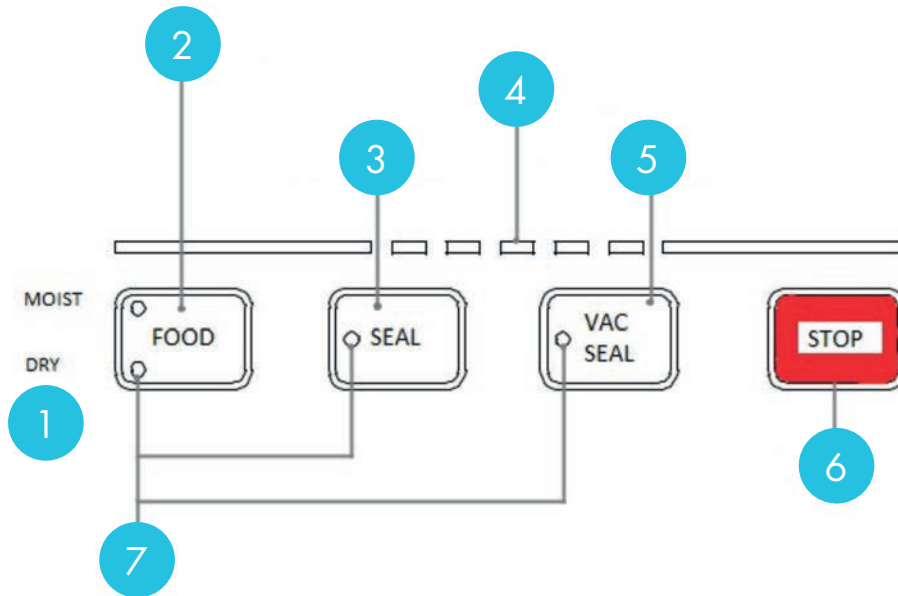
1. Klep vacuümapparaat
2. Siliconen aandrukstrip
3. Rubberen pakking
4. Zegelrand
5. Vacuümkamer
6. Vacuümventiel
7. Vacuümtoets



figuur 2 – Binnenzijde Wartmann®
vacuümapparaat.

Het bedieningspaneel

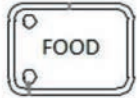
With the buttons on the control panel you can choose between the various functions of the Wartmann® vacuum device. The most commonly used option is the combination of vacuum and direct sealing (figure 3, 5). You can also choose for sealing without vacuum (figure 3, 3).



figuur 3 – Het bedieningspaneel.

De toetsen hebben de volgende functies;

MOIST



DRY

Zodra het Wartmann® vacuümapparaat aangesloten is, zal het indicatielampje 'DRY' (1/7) groen oplichten. Het Wartmann® vacuümapparaat is klaar voor gebruik. Met de FOOD toets (2) kiest u tussen DRY en MOIST (droog en vochtig). In de MOIST modus zal het vacuüm trekken wat rustiger verlopen. U wisselt de stand door de toets aan te raken.



Gebruik deze toets (3) om een vacuümzak te verzegelen. De zak wordt direct verzegeld, er wordt geen vacuüm getrokken. Het indicatielampje (7) licht groen op. Tijdens het proces hoort u een korte luide zoem. De indicatielampjes (4) boven de toetsen knipperen. Na enkele seconden is het proces voltooid en gaan alle lampjes uit.



Deze toets (5) wordt gebruikt om een vacuümzak eerst vacuüm te trekken en vervolgens te verzegelen (dichtsmelten). Dit proces verloopt automatisch. Het indicatielampje (7) brandt. Tijdens het proces hoort u tweemaal een luide zoemtoon. De indicatielampjes (4) boven de toetsen knipperen. Na enkele seconden is het proces voltooid en gaan alle lampjes uit.



Met deze toets (6) worden alle processen direct gestopt.

HET VACUÛMAPPARAAT GEBRUIKEN

Het Wartmann® vacuümapparaat installeren

Haal het Wartmann® vacuümapparaat uit de doos en verwijder al het verpakkingsmateriaal. Naast het vacuümapparaat vindt u een los netsnoer, een vacuümslang en vijf vacuümzakken.

Stop het netsnoer in de elektrische aansluiting aan de achterzijde van het Wartmann® vacuümapparaat. Hiervoor dient u het rubberen afdichtlipje uit de aansluiting te trekken. Doe dit voorzichtig zodat u het afdichtlipje niet los trekt. Plaats het Wartmann® vacuümapparaat op een stevige ondergrond met voldoende ruimte rondom. Open het deksel met de ontgrendelknoppen (figuur 1, punt 4). Sluit het netsnoer aan door de stekker in een wandcontactdoos (stopcontact) te stoppen.

Vacuümzakken en vacuümrollen

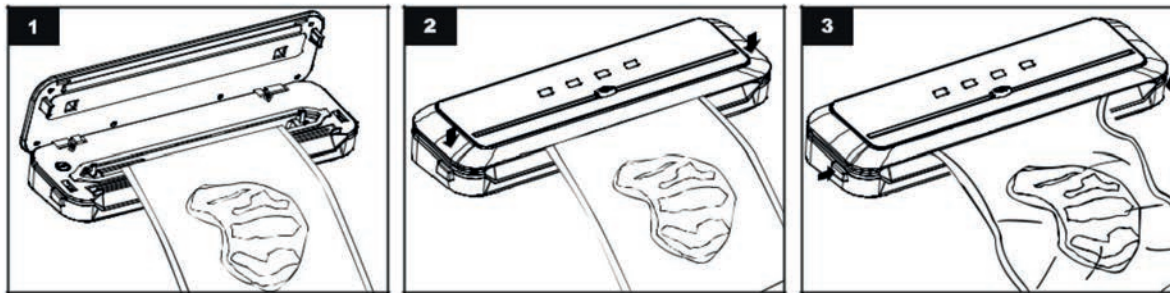
Wartmann® adviseert de originele Wartmann®

vacuümzakken en vacuümrollen te gebruiken. U kunt kiezen uit diverse vacuümzakken tot een maximale breedte van 28 centimeter of voor de vacuümrollen met een maximale breedte van 28 centimeter. De vacuümrol is een buisvormige plastic rol die u zelf op de gewenste lengte kunt knippen of snijden (zie snijmes, verderop in dit hoofdstuk). Deze open koker dient u eerst aan een zijde te verzegelen. U heeft dan een vacuümzak op maat. Voor gering vochtige producten kunt het beste de Wartmann® vacuümzakken met absorberende strip gebruiken. Het Wartmann® vacuümapparaat is ook geschikt voor andere merken vacuümzakken en -rollen. Voor het vacuüm-verpakken dienen deze voorzien te zijn van een microprofiel.

Plaats het voedsel (product) in de vacuümzak. Houdt aan de bovenzijde minstens 5 centimeter vrij. Open het deksel (met de ontgrendelknoppen) en plaats de vacuümzak met de open zijde boven de vacuüm

kamer (figuur 4, punt 1). De zak ligt nu over de zegelrand. Let er op dat u het vacuümventiel niet blokkeert. Sluit het deksel en duw deze in het slot door het deksel aan de uiteinden licht aan te drukken (figuur 4, punt 2). U hoort het deksel vastklikken (links en rechts). U kunt het Wartmann® vacuümapparaat nu bedienen met de toetsen op het bedieningspaneel (figuur 3).

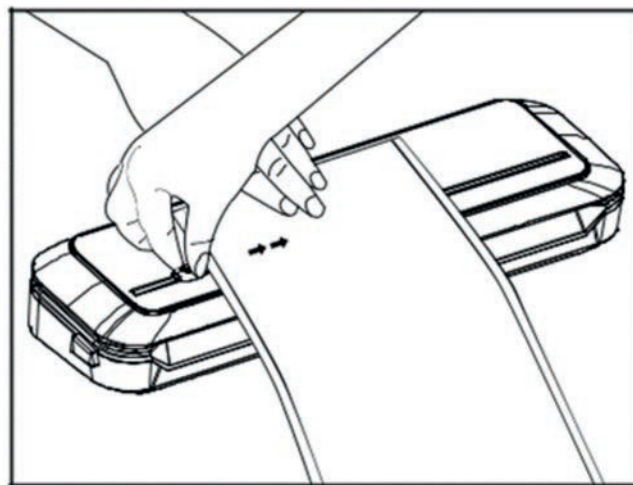
Tijdens het vacumeerproces wordt de zak in zijn geheel vacuüm getrokken. Na enkele seconden is het proces klaar. De indicatielampjes gaan uit en u kunt het deksel open klikken met de ontgrendelknoppen (figuur 4, punt 3). Neem de vacuümzak uit het apparaat.



figuur 4 – Gebruik van het vacuümapparaat.

Snijmes

Het Wartmann® vacuümapparaat is voorzien van een handig snijmes. Aan de bovenzijde van het Wartmann® vacuümapparaat treft u een plastic schuifje dat van links naar rechts kan bewegen. Aan de onderzijde van dit schuifje is een snijblad geplaatst waarmee u de vacuüm rollen eenvoudig op de gewenste maat kunt snijden. Dit doet u door het schuifje lichtjes op te tillen en de plastic rol er onder te plaatsen. Houd de rol met een hand vast en met de andere hand snijdt u de rol dwars door midden. Zie figuur 5.



figuur 5 – Gebruik van het snijmes.

Gebruik van Wartmann® vacuüm opbergdozen

Het Wartmann® vacuümapparaat is ook geschikt voor gebruik van Wartmann® vacuüm opbergdozen. Hierbij wordt de meegeleverde vacuümslang aangesloten op het vacuüm ventiel van het Wartmann® vacuümapparaat en de andere zijde van de slang aan het ventiel van de vacuümopbergdoos.

Open het deksel van het Wartmann® vacuümapparaat door de ontgrendelknoppen in te drukken (figuur 1, punt 4). Aan de linkerzijde in de vacuüm kamer ziet u het vacuümventiel (figuur 2, punt 6). Plaats de vacuümslang, met het rubberen uiteinde, over het ventiel. Plaats het andere uiteinde van de vacuümslang in het ventiel van de vacuümopbergdoos. Start het vacumeerproces door de

vacuüm toets kort in te drukken (figuur 2, punt 7). Het vacumeerproces start en zal automatisch stoppen zodra de maximale onderdruk is bereikt. Als u de toets nogmaals indrukt wordt het proces ook direct gestopt. Tijdens dit proces knipperen de indicatielampjes en hoort u een luide zoem. Verwijder nu de vacuümslang aan de zijde van de vacuümopbergdoos.



Gebruik van Wartmann® flessenstoppen

U kunt met het vacuümapparaat en de speciale Wartmann® flessenstoppen flessen vacumeren. Bijvoorbeeld voor het bewaren van een aangebroken fles wijn, een koolzuurvrije frisdrank, plantaardige olie, of vers sap.

Steek de onderkant van de Wartmann® flessenstop in de hals van de fles. Houd minimaal 2½ centimeter ruimte tussen de onderkant van de Wartmann® flessenstop en de bovenkant van de vloeistof. Open het deksel van het Wartmann® vacuümapparaat door de ontgrendelknoppen in te drukken (figuur 1, punt 4). Aan de linkerzijde in de vacuüm kamer ziet u het vacuüm ventiel (figuur 2, punt 6). Plaats de vacuümslang, met het rubberen uiteinde, over het ventiel. Plaats het andere uiteinde van de vacuümslang in het ventiel van de Wartmann® flessenstop.

Start de vacuümpomp door de vacuümtoets kort in te drukken (figuur 2, punt 7).

De vacuümpomp start en zal automatisch stoppen zodra de maximale onderdruk is bereikt. Als u de toets nogmaals indrukt wordt het proces ook direct gestopt. Tijdens dit proces knipperen de indicatielampjes en hoort u een luide zoemtoon. Verwijder nu de vacuümslang aan de zijde van de Wartmann® flessenstop.





NA GEBRUIK

Uitschakelen

Met de stop toets (figuur 3, punt 6) worden alle processen gestopt. Laat na gebruik de zegelrand 30 seconden afkoelen voordat u het deksel opent. Het lampje 'dry' blijft branden. Indien u het Wartmann® vacuümapparaat langere tijd niet gaat gebruiken dient de stekker uit het stopcontact verwijderd te worden. U kunt vervolgens het Wartmann® vacuümapparaat schoonmaken en opbergen.

Schoonmaken

Reinig de buitenkant van het vacuümapparaat eventueel met een lichtvochtige microvezeldoek en een zachte zeep. Verwijder alle vocht uit de vacuümkamer en houd de zegelrand vrij van vuil en stof. Voor het verwijderen van vocht kunt u eventueel de rubberen pakking, rondom de vacuüm kamer, voorzichtig uit trekken en daarna weer lichtjes terug te duwen.

Opbergen

We adviseren om alle onderdelen en gebruikte accessoires, direct na gebruik, schoon te maken om ongewenste bacteriegroei te voorkomen. Plaats het Wartmann® vacuümapparaat op een droge plaats, buiten bereik van kinderen.

Onderhoud

Het Wartmann® vacuümapparaat heeft geen speciaal onderhoud nodig.

HET WARTMANN® VACUÛM- APPARAAT RECYCLEN

Wanneer het Wartmann® vacuümapparaat zijn levensduur heeft bereikt dan dient u deze in te leveren bij een inzamelpunt voor de recycling van elektrische apparaten.

Het Wartmann® vacuümapparaat kan niet met het normale huisvuil worden afgevoerd.



BIJLAGE 1: STORINGEN VERHELPE

Normaliter functioneert het Wartmann® vacuümapparaat naar wens. Wanneer zich onverhoopt toch een storing voordoet probeert u dan eerst onderstaande adviezen.

SYMPTOOM	MOGELIJKE OORZAAK	OPLOSSING
Het vacuümapparaat gaat niet aan. Er branden geen indicatie-lampjes.	Het netsnoer is beschadigt, de stekker is niet in het stopcontact gestoken, of er staat geen spanning op het stopcontact.	Controleer eerst of het netsnoer onbeschadigt is en steek vervolgens de stekker in een stopcontact waarvan uw weet dat er spanning op staat.
Het vacuümapparaat zuigt de vacuümzak niet volledig vacuüm.	De bovenkant van de vacuümzak ligt niet ver genoeg boven de verzegelstrip (tot in de vacuüm-kamer).	Plaats de opening van de vacuümzak volledig in de vacuümkamer.
	Er zijn kreukels in de vacuümzak in het gedeelte dat op de verzegelstrip ligt.	Controleer de bovenkant op kreukels, knip eventueel de bo-ven-ste rand van de vacuümzak af.
	U heeft een vacuümzak gemaakt van een vacuümrol en de eerste verzegeling is niet goed.	Controleer de verzegeling op beschadigen. Knip een beschadigde verzegeling af en maak een nieuwe verzegeling.
	De verzegeling of de vacuümzak is nat, vuil of stoffig.	Verwijder de stekker en maak de verzegelstrip schoon. Gebruik uitsluitend schone, droge, vacuüm-zakken.
De vacuümzak verliest het vacuüm nadat deze geseald is.	Scherpe voorwerpen kunnen gaatjes prikken in de vacuümzak.	Bedek de scherpe kanten met een papieren doek en gebruik een nieuwe vacuümzak.
	Bepaalde groenten en fruit die niet goed geblancheerd of voor het verpakken bevroren zijn kunnen afbraakgassen produceren.	Open de verpakking en gooi de etenswaren weg wanneer deze bedorven zijn. Als de etenswaren niet bedorven zijn dan dient u die direct te consumeren.

SYMPTOOM	MOGELIJKE OORZAAK	OPLOSSING
De vacuümdozen worden niet goed vacuüm.	De vacuümslang is niet goed aangesloten.	Verzekert u ervan dat de vacuüm-slang volledig in de aansluitingen op de vacuüm-doos en het vacuümapparaat zijn gestoken. Probeer het daarna nog een keer.
	De knop op de vacuümdoos is niet in de positie 'vacuüm' geplaatst.	Verzekert u ervan dat de knop op de vacuüm-doos in de positie 'vacuüm' staat.
	Er is onvoldoende vrije ruimte boven in de vacuüm-doos.	Zorg voor voldoende vrije ruimte boven in de vacuüm-doos.
	Er zijn haarscheurtjes in de vacuüm-doos.	Controleer de vacuüm-doos en het deksel op beschadigingen. Wanneer u beschadigingen ziet dan is de vacuüm-doos niet langer bruikbaar en moet u deze vervangen.
Het vacuümapparaat werkt niet meer (correct).	Er is een technische storing.	Haal de stekker uit het stopcontact, wacht 10 seconden en sluit het vacuümapparaat opnieuw aan.
	Het vacuüm apparaat is defect	Biedt het apparaat ter reparatie aan.

BIJLAGE 2: BEWAARADVIEZEN VOOR ETENSWAREN

Het Wartmann® vacuümapparaat verandert de manier waarop u etenswaren inkoop en bewaart. Omdat vacuüm-verpakken bederf afremt en vriesbrand voorkomt kunt u zonder verspilling per keer meer etenswaren inkopen.

Met het Wartmann® vacuümapparaat verwijdert u tot 90% van de lucht uit de verpakking. Hierdoor kunt u etenswaren, in de koelkast of vriezer, tot vijf keer langer bewaren dan wanneer u deze normaal bewaard. Droge levensmiddelen zoals pasta, granen en meel blijven zelfs van begin tot aan het gebruik vers. Door het vacuüm verpakken voorkomt u dat kevertjes en insecten in uw levensmiddelen nestelen. Verpak levensmiddelen altijd zo vers mogelijk.

Let op: U kunt niet alle etenswaren vacuüm verpakken. U mag nooit knoflook of schimmels, zoals paddenstoelen, vacuüm verpakken. Door het verwijderen van de lucht kan een biochemische reactie ontstaan waardoor consumptie van deze producten gevaarlijk is. Groenten dient u eerst te blancheren om de enzymen die de afbraakgassen produceren af te breken. In nevenstaande tabel treft u enkele bewaaradviezen.

Etenswaren	Vacuüm + Diepvries	Vacuüm + Koeling	Normaal
Rund- en kalfsvlees	1 ½ jaar	2 weken	2 dagen
Gehakt	1 jaar	1 week	1 tot 2 dagen
Varkensvlees	1 jaar	1 tot 2 weken	2 dagen
Vis	1 ½ jaar	1 week	2 dagen
Gevogelte	1 ½ jaar	1 tot 2 weken	2 dagen
Gerookt vlees	2 jaar	3 maanden	2 tot 4 weken
Geblancheerde groenten	2 tot 3 jaar	4 weken	1 week
Vers fruit	2 tot 3 jaar	2 weken	3 tot 7 dagen
Harde kazen	6 maanden	2 maanden	2 weken
Ongekookte pasta		1 jaar	½ jaar

De genoemde tijden zijn indicatief en kunnen per product en per hoeveelheid variëren.

BIJLAGE 3: ANDERE VACUÛM-VERPAKKINGSTOEPASSINGEN

U kunt het Wartmann® vacuümapparaat ook gebruiken voor andere huishoudelijke toepassingen dan het verpakken van etenswaren.

Vacuüm-verpakken is zeer geschikt voor kamperen en buitenactiviteiten. Maak vacuümverpakte maaltijden voordat u gaat kamperen. Hierdoor hebt u op een eenvoudige manier een maaltijd wanneer u kampeert. Ongekookte rijst en pasta's zoals spaghetti blijven zo een gehele vakantieperiode houdbaar. Door het vacuüm-verpakken van vlees en andere ruikende producten voorkomt u ongewenste geurtjes. Maak uw eigen droogpakketten door essentiële zaken, zoals lucifers, sokken en een kaart in een verzegelde zak te bewaren.

Richt rommelige kastladen opnieuw in door kleine voorwerpen die anders eenvoudig kwijt raken, zoals schroeven en spijkers, vacuüm te verpakken in vacuümzakken. De inhoud van de zakken is door het vacuüm-verpakken goed zichtbaar.

Zilverwaren die u weinig gebruikt kunt u vacuüm verpakken. Dit voorkomt verkleuring van het zilver als gevolg van oxidatie. Scherpe hoeken kunt u met een papieren doek inpakken zodat de vacuümzak niet lek raakt.





Type number / Typenummer model: WM-2005 EC

Voltage / Spanning: 220-240 volt: 50/60 Hz

Power / Vermogen: 110 Watt

Mass / Massa: 1,05 Kg

Dimensions / Afmetingen: 38,5 X 10,8 x 6,5 cm (L x B x H)

WARTMANN®

WWW.WARTMANN.COOKING